

# Measuring Guide & Tips - *Blinds*

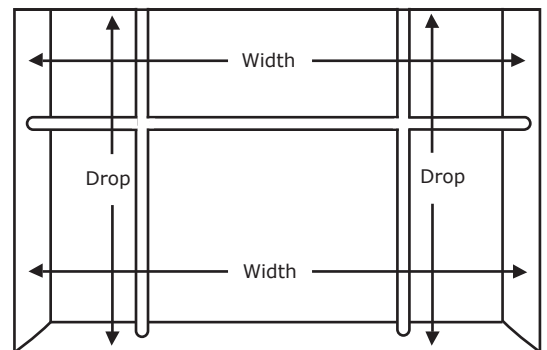
## Measuring your window for blinds:

When measuring your window for blinds you need to decide whether you want your blind to fit **inside or outside the recess**. The measuring technique is the **same for Venetians and Woven wood**. Make sure there is nothing that will obstruct your blind from hanging properly and that you will still be able to open your window easily once the blind is fitted. To find what size of blind you need to order, just follow the simple steps below.

**Tip - Always use a steel or wooden rule when measuring as cloth tapes can stretch and take all measurements to the nearest millimetre (mm).**

### Inside Recess:

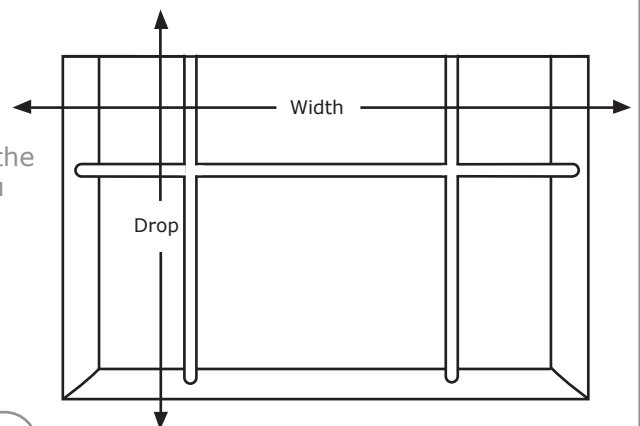
1. Firstly measure the width of the recess in 2 places (as shown in the picture), this is to allow for any slight variations or irregularity in the window.
2. Take a note of the smallest of these measurements.
3. Do the same for the drop, again taking the smallest measurement.
4. Deduct at least 12mm from the width measurement to allow for clearance.
5. You do not need to deduct anything from the drop measurement for Venetian or Roman blinds.
6. The drop includes any pelmets or valances at the top of the blind.
7. The recess must also be at least 80mm (approx 3ins) deep to allow for the fittings.



### Outside Recess:

1. Just measure the exact width and drop you would like the blind to cover (as shown in the picture), make sure you include a minimum overlap on both sides and top & bottom of 45mm (approx 1 3/4ins).
2. Don't forget to take into account of the position of the operating mechanisms.

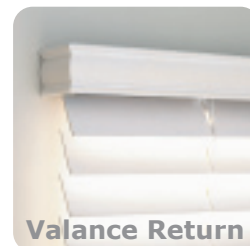
**All our blinds come with all the fittings you'll need, along with instructions for easy installation.**



**Helpful Tips - to create the perfect finish for your blind:**

**Valance Returns** - For blinds going outside the recess, optional valance returns are available to attach to the edge of the pelmet for neatness. These are available for both Venetian and Woven wood blinds.

**Decorative Blind Pulls** - Rufflette offers a selection of hand crafted pulls to customise blind or light cords.



### Contact us:

If you experience any problems while using these instructions or using Rufflette blinds do not hesitate to contact our Customer Services Dept. (via any of the methods below) who will be happy to help you out.

Rufflette Limited      Tel no. 0161 998 1811  
 Sharston Road        Fax no. 0161 945 9468  
 Wythenshawe        Email. customer-care@rufflette.com  
 Manchester  
 M22 4TH